



# HLMR Disk Bearing

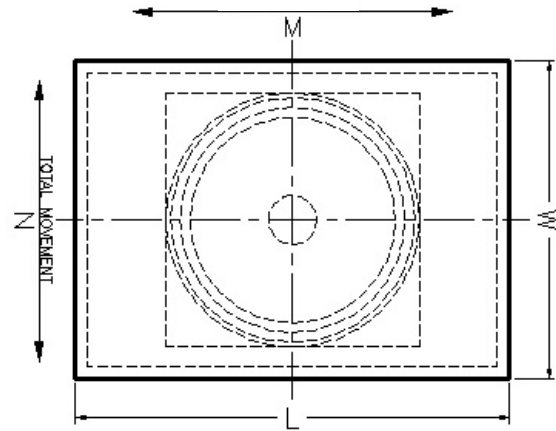
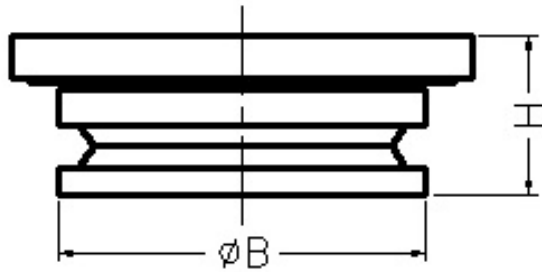
## Multidirectional

**Design Code:** AASHTO 17<sup>th</sup> Edition Standard and/or LRFD Service Limit.

**Rotation:**  $\pm 0.02$  Radians

**Design Horizontal Capacity:** 10% of Vertical Load Capacity

**Steel:**  $F_y = 50$  ksi



Model Number	Vertical Load Capacity (Kips)	Horizontal Load Capacity (Kips)	Length L (inches)	Width W (inches)	Base B (inches)	Height H (inches)	Movement M (inches)	Movement M (inches)
DB100M	100	10	11.13	8.13	6.50	2.82	4.00	1.00
DB200M	200	20	13.75	10.75	8.38	3.08	4.00	1.00
DB300M	300	30	15.75	12.75	10.38	3.70	4.00	1.00
DB400M	400	40	17.50	14.50	11.88	3.95	4.00	1.00
DB500M	500	50	19.13	16.13	13.13	4.08	4.00	1.00
DB600M	600	60	20.38	17.38	14.25	4.20	4.00	1.00
DB700M	700	70	21.75	18.75	15.50	4.70	4.00	1.00
DB800M	800	80	22.88	19.88	16.50	4.95	4.00	1.00
DB900M	900	90	24.00	21.00	17.63	5.20	4.00	1.00
DB1000M	1000	100	25.25	22.25	18.38	5.20	4.00	1.00
DB1100M	1100	110	26.13	23.13	19.25	5.70	4.00	1.00
DB1200M	1200	120	27.00	24.00	20.25	5.95	4.00	1.00
DB1300M	1300	130	28.13	25.13	20.88	5.95	4.00	1.00
DB1400M	1400	140	29.13	26.13	22.00	6.36	4.00	1.00
DB1500M	1500	150	29.63	26.63	22.50	6.49	4.00	1.00
DB1600M	1600	160	30.75	27.75	23.25	6.99	4.00	1.00
DB1700M	1700	170	31.38	28.38	24.00	7.11	4.00	1.00
DB1800M	1800	180	32.38	29.38	24.75	7.11	4.00	1.00
DB1900M	1900	190	33.00	30.00	25.38	7.74	4.00	1.00
DB2000M	2000	200	34.00	31.00	26.13	7.74	4.00	1.00
DB2500M	2500	250	37.25	34.25	29.13	8.73	4.00	1.00
DB3000M	3000	300	40.38	37.38	31.75	8.86	4.00	1.00
DB3500M	3500	350	43.38	40.38	34.38	9.73	4.00	1.00
DB4000M	4000	400	45.88	42.88	36.63	9.98	4.00	1.00
DB4500M	4500	450	48.38	45.38	38.88	10.61	4.00	1.00
DB5000M	5000	500	51.00	48.00	40.75	10.86	4.00	1.00

- Design loads are Service loads. Contact RJW design team for bearing dimensions according to other design codes, i.e., AREMA, CAN/CSA, etc. ([www.rjwatson.com/services/design-services](http://www.rjwatson.com/services/design-services))
- Bearing top plate can be used as the sole plate. Sole plate is designed for a welded connection to a steel girder flange or embed plate. Sole plate dimensions may vary for a bolted connection.
- Bearing dimensions are based on zero skew. Top and bottom bearing elements can be oriented at different skew angles to suit varying structure conditions.
- Design movement is the total and includes an additional +/- 1 inch for construction tolerances. Adjust slide plate dimension L if more/less movement is required.
- Masonry plate is not included. Contact RJW design team for masonry plate design assistance.