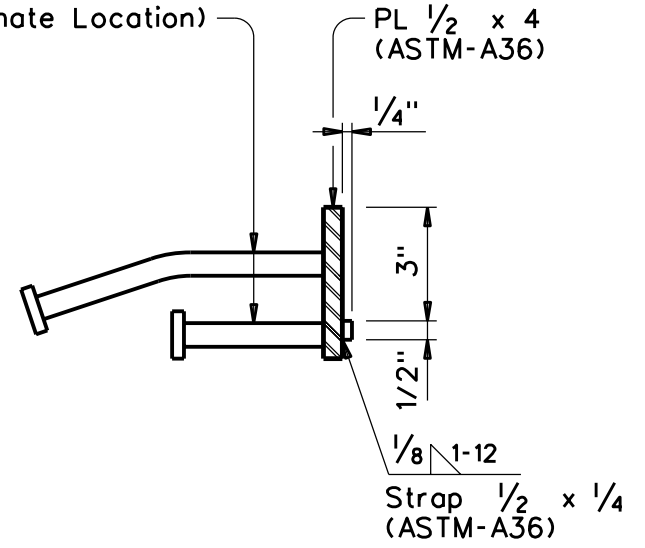


$\frac{5}{8}$ " Dia Stud Anchors
at 0'-6" C.C. Max
(Alternate Location)



SECTION